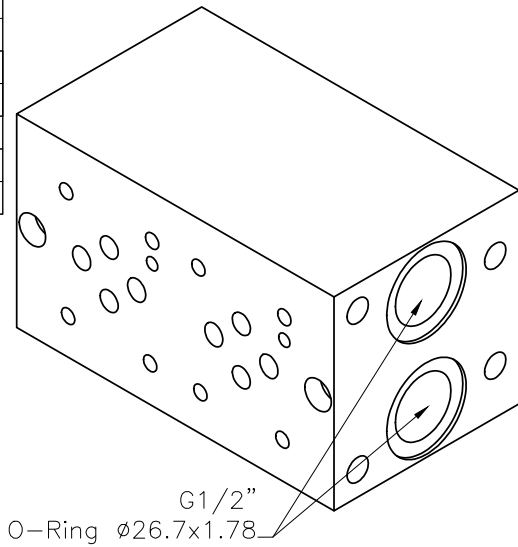
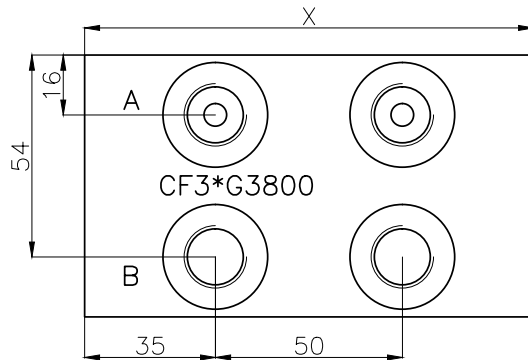


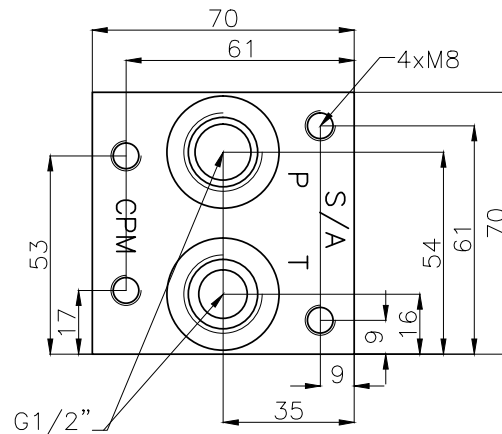
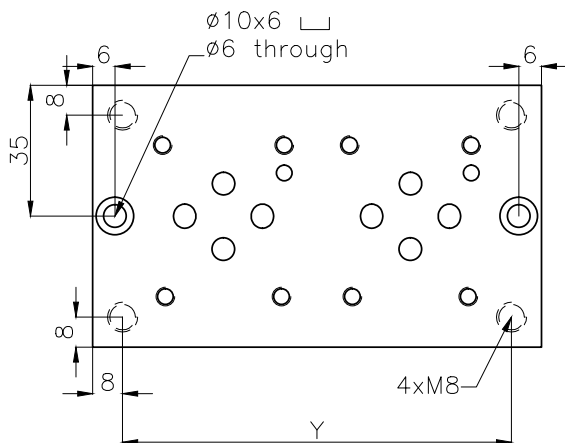


CF3*G3800

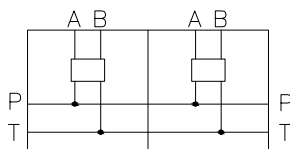
Stat.	X	Y	kg
1	70	58	2.1
2	120	108	3.6
3	170	158	5.1
4	220	208	6.6
5	270	258	8.1
6	320	308	9.6
7	370	358	11.1
8	420	408	12.6



G1/2"
O-Ring $\varnothing 26.7 \times 1.78$



Hydraulic scheme



Technical specification

Material: GJS-400-15
 Treatment: ISO9717-MnPh
 Pressure: 300bar
 Flow rate: 60l/min

Designation code:

C F 3 * G38 0 0

CPM
 Side entry
 Cetop03
 Station number

No test points
 No relief valve
 BSP G3/8"