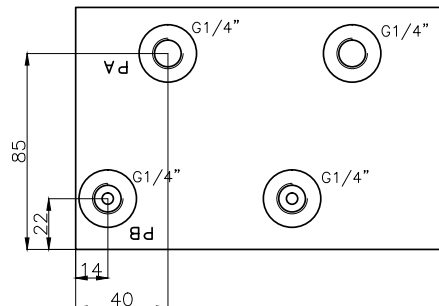
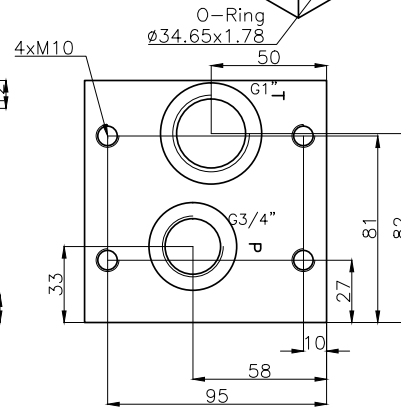
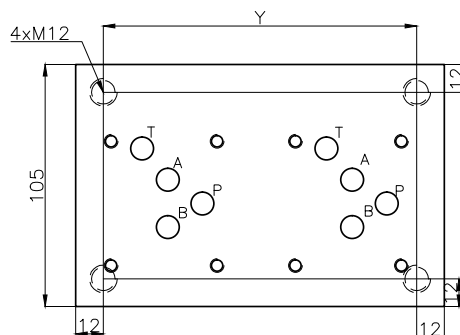
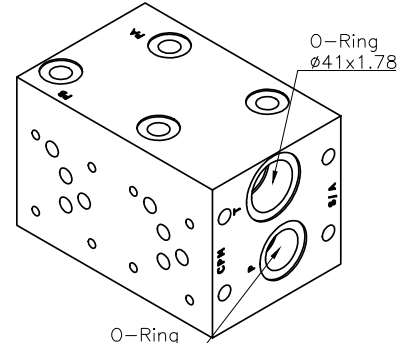
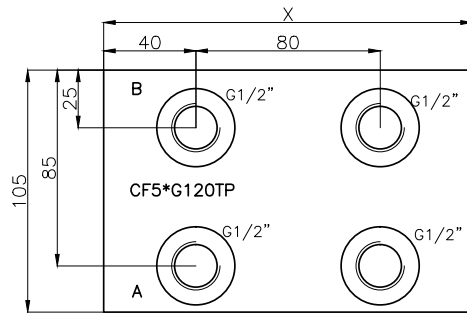


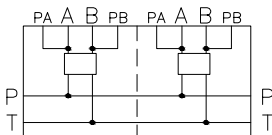


# CF5\*G120TP



Stat.	X	Y	kg
1	80	56	5.8
2	160	136	11.3
3	240	216	17.0
4	320	296	22.7
5	400	376	28.5

### Hydraulic scheme



### Technical specification

**Material:** GJS-400-15  
**Treatment:** ISO9717-MnPh  
**Pressure:** 300bar  
**Flow rate:** 120l/min

Designation code:

C F 5 \* G12 0 TP  
 CPM ————  
 Side entry ————  
 CETOP05 ————  
 Station number ————  
 ———— Pressure test points  
 ———— No relief valve  
 ———— G1/2"