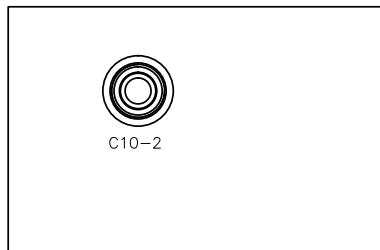
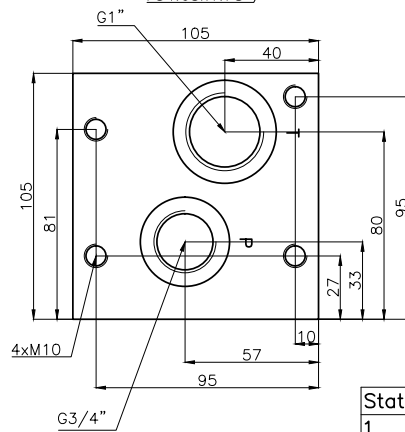
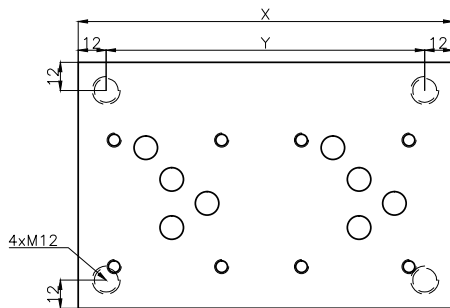
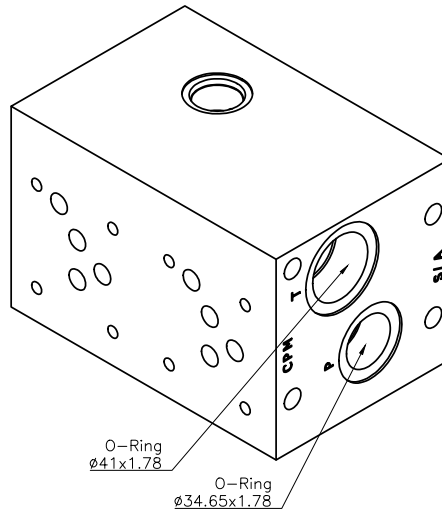
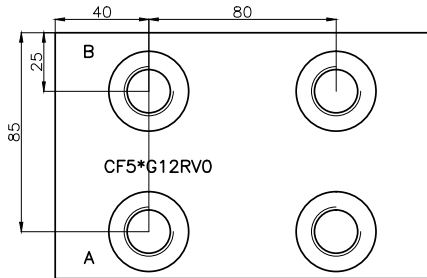


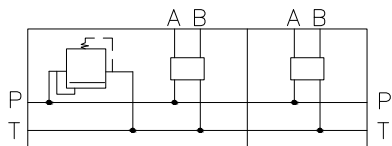


CF5*G12RV0



Stat.	X	Y	kg
1	80	56	5.7
2	160	136	11.3
3	240	216	16.9
4	320	296	22.6
5	400	376	28.4
6	480	456	34.1
7	560	536	39.8
8	640	616	45.5

Hydraulic scheme



Technical specification

Material: GJS-400-15
 Treatment: ISO9717-MnPh
 Pressure: 300bar
 Flow rate: 120l/min

Designation code:

